

ET-556 – 19" (1280 x 1024)

NO. DS200640150101 | EN
2014 | V 03.02.00



ET-556 – 19" (1280 x 1024)

Highlights

- Remote access to a single PC / multiple PCs from any operator terminal
- Cost-efficient hardware, central data management
- LED backlighting technology and touch screen as standard
- Rugged design and full IP66
- Without additional enclosure protection suitable for use in hazardous areas
- Many enclosure and mounting options

Explosion Protection



Explosion Protection Examination Certificate
TÜV 11 ATEX 7041 X
IECEX TUR 11.0006X

Explosion Protection Identification
ATEX directive 94/9/EG
ET-xx6-A-Tx

II 2 (2) G Ex d e ia ib mb [ia ib] IIC T4 Gb
II 2 (2) D Ex ia tb [ia ib] IIIC T80°C Db IP66

ET-xx6-A-Fx
II 2 (2) G Ex d e ia ib mb [ia ib op is] IIC T4 Gb
II 2 (2) D Ex ia tb [ia ib op is] IIIC T80°C Db IP66

IECEX

ET-xx6-A-Tx
Ex d e ia ib mb [ia ib] IIC T4 Gb
Ex ia tb [ia ib] IIIC T80°C Db IP66

ET-xx6-A-Fx
Ex d e ia ib mb [ia ib op is] IIC T4 Gb
Ex ia tb [ia ib op is] IIIC T80°C Db IP66

GOST-R

ET-xx6-A-Tx
2Exdeiaibmb[iaib]IIC T4
DIP A21 TA80°C, IP66
ET-xx6-A-Fx
2Exdeiaibmb[iaibopis]IIC T4
DIP A21 TA80°C, IP66

NEC / UL

Class I, Division 2, Groups A, B, C, D
Class II, Division 2, Groups F, G
Class III Hazardous Locations
Class I, Zone 2, Group IIC

CEC / CSA

Ex d e ia ib mb [ia ib] IIC T4 Gb, Type 4X, IP66
Ex ia tb [ia ib] IIIC T80°C Db, IP66
Class II, Division 1, Groups E, F, G, T80°C

Firmware/Software

- PC remote control over: KVM / VNC / RDP / Netc@p
- Authorized access only: Closed system restricted to authorized individuals
- Optional password activation system
- Optional block user input
- Configuration export/import
- Fallback connections provide high system availability

Description

The 19" Thin Client operator stations are most frequently used in hazardous areas, Zone 1, 21. Thin Clients are the best solution when it comes to flexible data access – via the IP address it is possible to access any PC or any network from any client, thus providing the operator with the best possible flexibility on site. The ET-556 communicates over standard Ethernet (TCP/IP) or fiber optic, thus enabling RDP, VNC and Netc@p, as well as LAN, WLAN and Internet.

All HMIs of the ET-500 series come with our special **Remote HMI firmware** for enhanced Thin Client security. Designed as a "closed system" with the highest level of security and protection against external manipulations, this Remote HMI firmware controls network communications, password assignment, block operator input, and IP address assignment. In the rare case of a system failure, the BACKUP / RECOVERY solution via USB stick allows to immediately restore the original state.

The ET-556 with its luminous 19" LED backlit display comes standard with an intuitive touch screen; hardware keyboard, trackball, mouse, joystick, and touch pad are also available. For drilling rig or outdoor applications, we have developed the innovative sunlight readable display with pole filter system that filters distracting reflection and glare, thus ensuring best screen readability even in bright sunlight.

ET-556 – 19" (1280 x 1024)

NO. DS200640150101 | EN
2014 | V 03.02.00



INMETRO

ET-xx6-A-Tx

Ex d e ia ib mb [ia ib] IIC T4 Gb

Ex ia tb [ia ib] IIC T80°C Db IP66

ET-xx6-A-Fx

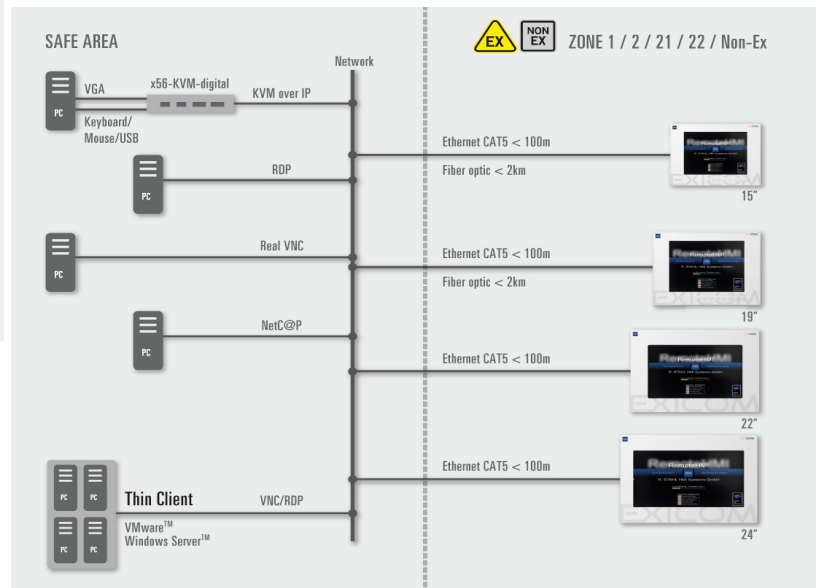
Ex d e ia ib mb [ia ib op is] IIC T4 Gb

Ex ia tb [ia ib op is] IIC T80°C Db IP66

Ingress protection

Front and back side IP66

Operating Principle



ET-556 – 19" (1280 x 1024)

NO. DS200640150101 | EN
2014 | V 03.02.00



Technical Data

Mounting design	Front panel mounting
Display	48 cm (19") TFT color display 16,777,216 colors SXGA 1280 x 1024 Aspect ratio 5:4 Brightness 350 cd/m ² Contrast 1000:1 8 wire resistive touch screen as a standard
Backlighting	LED technology Service life 50,000 h at +10 °C
Display function keys	8 function keys, polyester film on aluminum plate Switching cycles > 1 million
External keyboard	Yes (optional), 105 / 107 keys, incl. trackball / joystick (Ex ia)
Operating system	Remote HMI firmware based on Windows Embedded Standard 2009 intrinsically safe Thin Client system
Interfaces	1 x Ethernet 10/100BaseTx (Ex e) or FO 100BaseFx, 100 Mbit (Ex op is) 2 x USB (Ex e) 2 x USB (Ex ib) 2 x PS/2 (Ex ia) (keyboard, pointing device) 1 x RS-232 / RS-422 / RS-485 (Ex e) 1 x Audio line out (Ex e) Optional interfaces 1 x RSi (Ex ib) data and data supply for readers 1 x RS-232 / RS-422 / RS-485 (Ex e) WLAN via USB (Ex e)
Dimensions (W x H x D)	535 x 425 x 165 mm (21.06 x 16.73 x 6.5")
Cutout	522.5 x 412.5 (+/- 0.5) mm (20.57 x 16.24 (+/- 0.02)")
Weight	25 kg (55.1 lbs)
Power supply	24 VDC (20.4 up to 28.8 VDC); 1.2 A; 28.8W optional: external power supply 90 - 253 VAC
Permissible ambient temperature ranges	Operation -20 °C up to +55 °C* Operation with heater ** -30 °C up to +55 °C* Operation with heater **, enclosure insulation and protection screen -40 °C up to +55 °C* Storage -30 °C up to +60 °C * ET-4x6-A and ET-5x6-A: 5 h maximum operation at +55 °C; continuous operation (24/7) at +50 °C ** The heater has to be designed to ensure that the temperature inside the enclosure of the operating unit does not fall below -20 °C (-30 °C only at the front side)
Heat dissipation	Front plate cooling by heat pipe approx. 50 % through front plate, approx. 50 % through back side
Relative humidity	90 % at +40 °C, non condensing
Vibration	Operation: 3 up to 22 Hz: 1 mm (0.04") 22 up to 500 Hz: 9.8 m/s ² = 1 g (32 ft/s ² = 0.03 oz) Transportation: 3 up to 9 Hz: 3.5 mm (0.14") 9 up to 500 Hz: 9.8 m/s ² = 1 g (32 ft/s ² = 0.03 oz)
Shock	Operation: 15 g / 11 ms (0.52 oz/11 ms) Transportation: 25 g / 6 ms (0.88 oz/6 ms)
Material front side	UV-resistant polyester film on seawater-resistant aluminum, incl. touch screen und protective safety glass Optional: stainless steel film on seawater-resistant aluminum, incl. touch screen and protective safety glass
Material back side	Stainless steel

ET-556 – 19" (1280 x 1024)

NO. DS200640150101 | EN
2014 | V 03.02.00



Ingress protection

Front and back side IP66